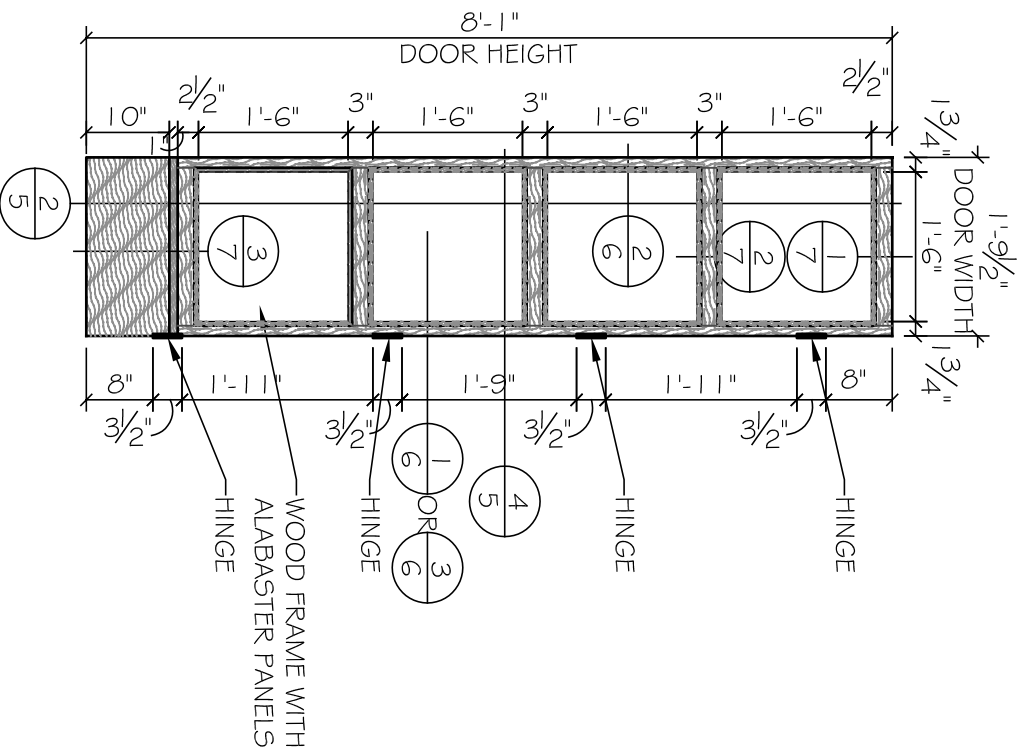


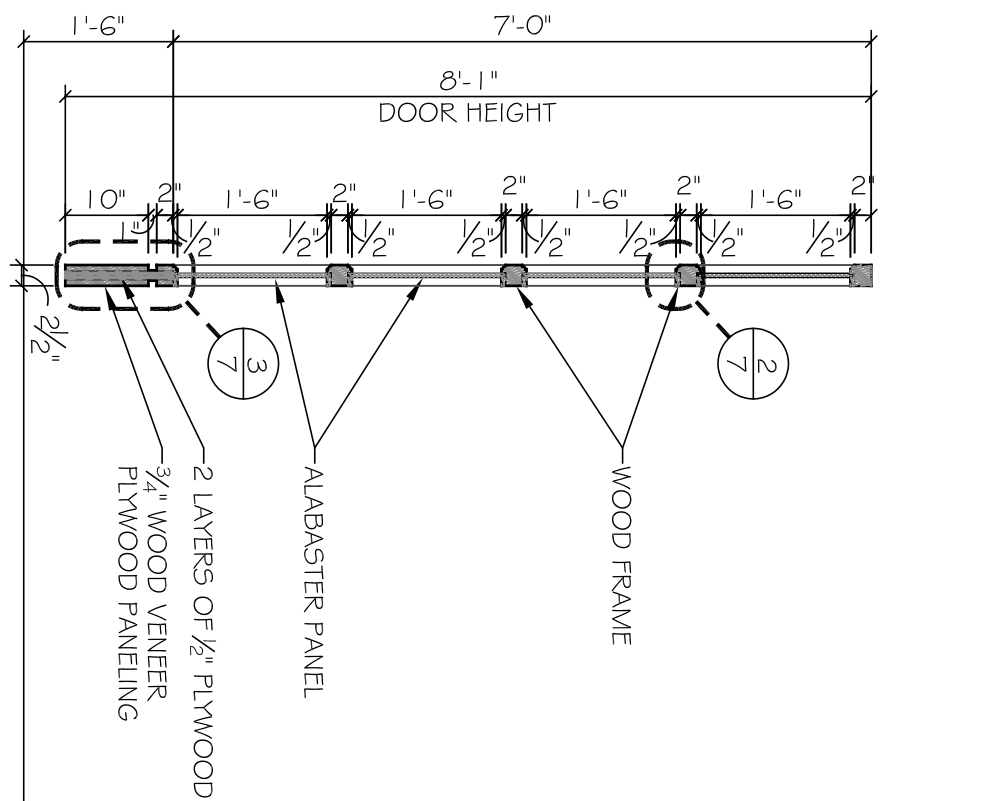
ALL HARD WOOD CORNERS  
ARE TO BE "EASED"



3 THUS - RIGHT HAND OPENING  
3 THUS - LEFT HAND OPENING

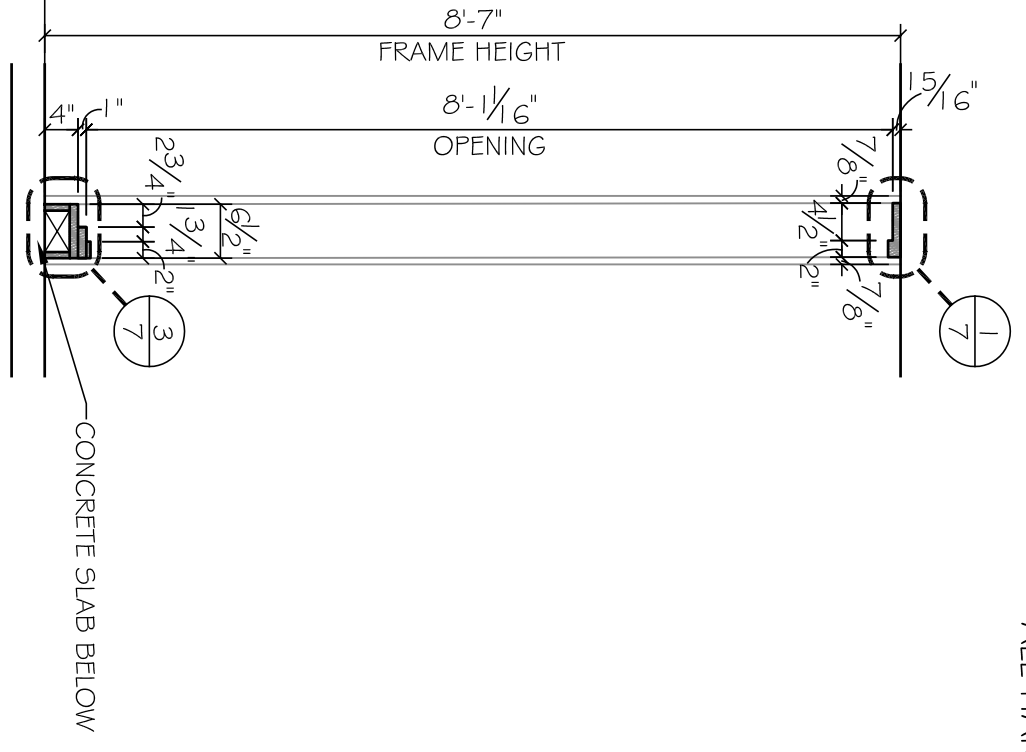
**1/5 DOOR PANEL ELEVATION**

Scale: 1/2" = 1'-0"



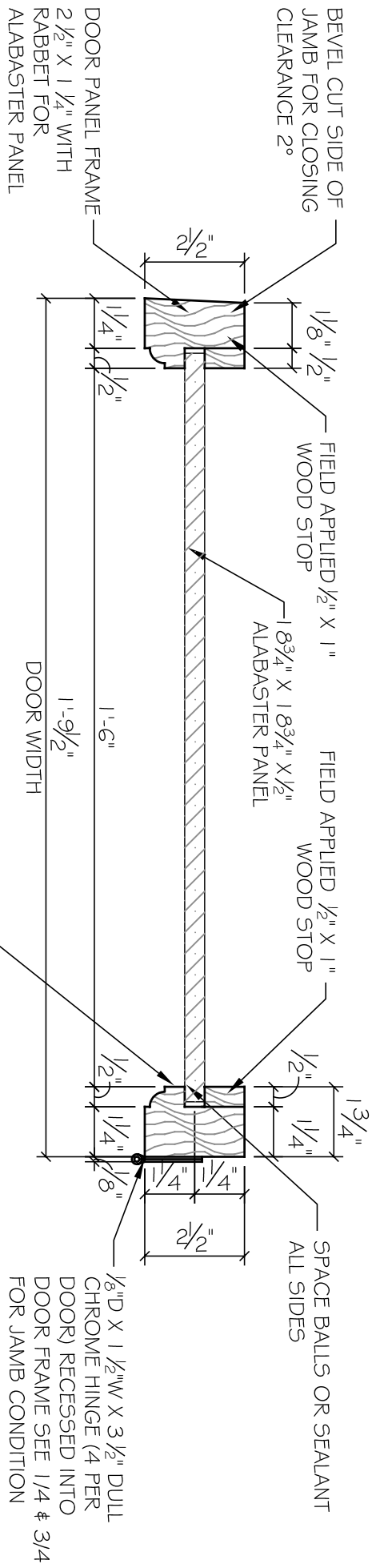
**2/5 DOOR SECTION (VERT.)**

Scale: 1/2" = 1'-0"



**3/5 FRAME SECTION**

Scale: 1/2" = 1'-0"



**4/5 DOOR SECTION (HORI.)**

Scale: 3" = 1'-0"

|                          |                      |                         |
|--------------------------|----------------------|-------------------------|
| PROJECT NAME / CUSTOMER: | ARCH. JOB NO:        | ARCHITECT NAME:         |
| DESCRIPTION:             | JOB NO:              | ARCHITECT PHONE / FAX:  |
| LOCATION:                | SHEET NO:<br>5 of 18 | CONTRACTOR NAME:        |
|                          | DRAWN BY:            | CONTRACTOR PHONE / FAX: |